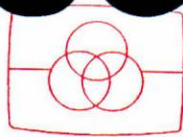


Service Manual



Free service manuals
Gratis schema's

Digitized by

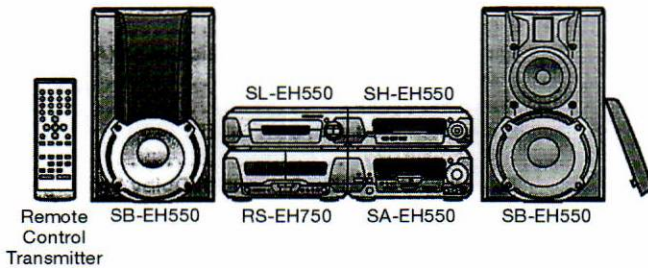
Speaker System

SB-EH550

Hi-Fi Speaker System

www.freesevicemanuals.info

(S) Silver Type



■ SPECIFICATIONS

Type
Speaker

3 way, 3 speaker system
Woofers: 14 cm cone type
Mid range: 12 cm cone type
Tweeter: 6 cm cone type

Impedance
Input power
Output sound pressure level
Cross over frequency
Frequency range

6 Ω
70 W (MUSIC)
84dB/W (1.0 m)
200 Hz, 4kHz
46Hz - 22kHz (-16 dB)
50Hz - 20kHz (-10 dB)
254 x 416 x 246 mm
5,6 kg

Dimensions (W x H x D)
Weight

Notes :

Specifications are subject to change without notice.
Weight and dimensions are approximate.

■ ESPECIFICACIONES

Tipo
Altavoces

Sistema con 3 vías, 3 altavoces
Graves: 14 cm tipo cónico
Medios: 12 cm tipo cónico
Agudos: 6 cm tipo cónico

Impedancia
Capacidad de potencia
Nivel de presión acústica de salida
Frecuencia de cruce
Respuesta de frecuencias

6 Ω
70W (Músicales)
84 dB/W (1.0 m)
200 Hz, 4 kHz
46Hz - 22kHz (-16 dB)
50Hz - 20kHz (-10 dB)

Dimensiones (W x H x D)
Peso

254 x 416 x 278 mm
5,6 kg

Nota:

Estas especificaciones están sujetas a cualquier cambio.
Peso y dimensiones son aproximados.

■ SPECIFICATIONS

Type
Haut-parleurs

3-voies, 3-haut-parleurs
Graves: 14 cm type a cone
Moyennes: 12 cm type a cone
Aguis: 6 cm type a cone

Impédance
Entrée maximale
Niveau de pression sonore de sortie
Fréquence de comutation
Gamme de fréquences

6 Ω
70 W (Musique)
84 dB/W (1.0 m)
200 Hz, 4 kHz
46Hz - 22kHz (-16 dB)
50Hz - 20kHz (-10 dB)

Dimensions (W x H x D)
Poids

254 x 416 x 246 mm
5,6 kg

Notes :

Subject à changement sans preavis.
Poids et dimensions sont approximatifs.

⚠ WARNING

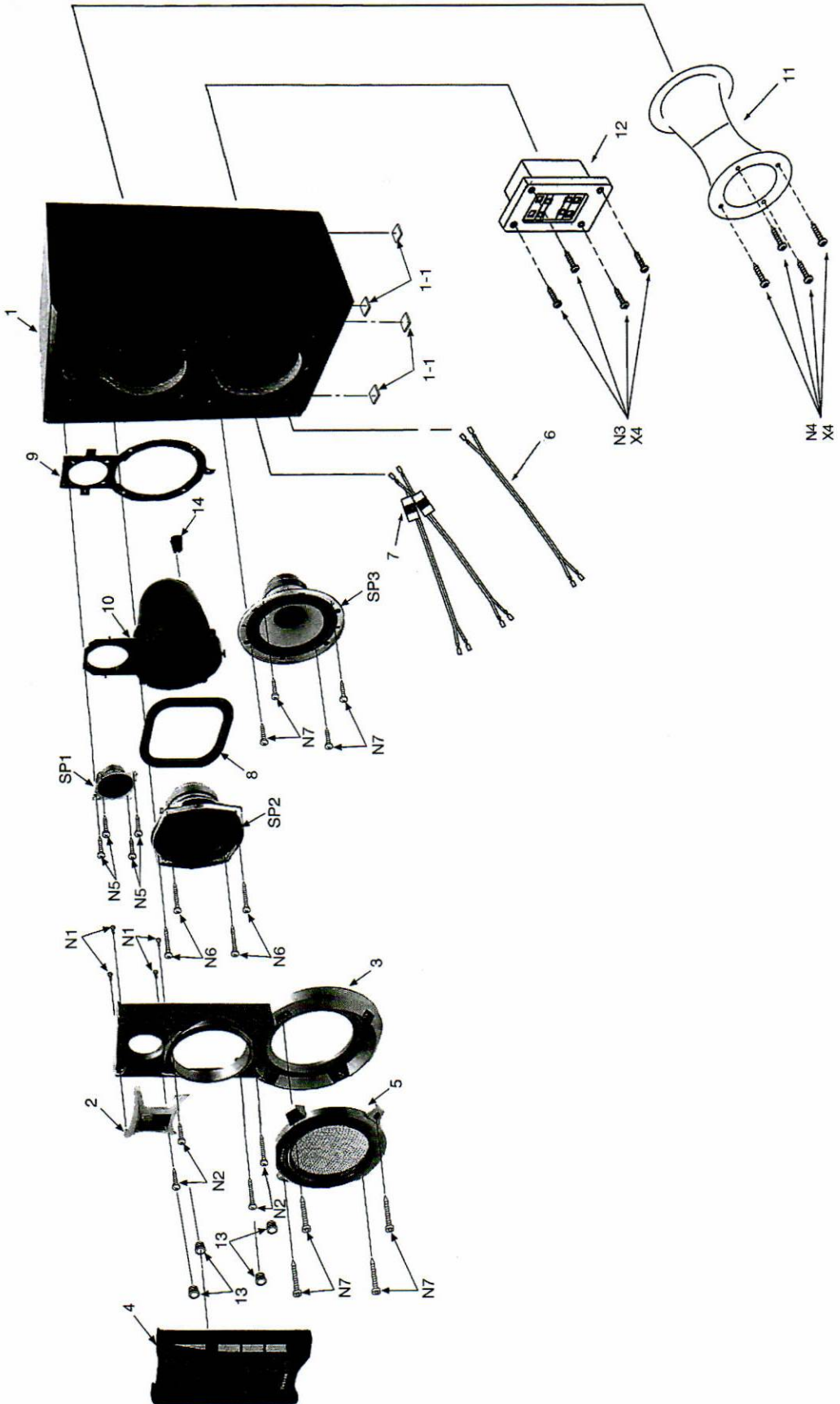
This service information is designed for experience repair technicians only and is not designed for use by the general public. It does not contain warnings or cautions to advise non-technical individuals of potential dangers in attempting to service a product. Products powered by electricity should be serviced or repaired only by experienced professional technicians. Any attempt to service or repair the product or products dealt with in this service information by anyone else could result in serious injury or death.

Technics®

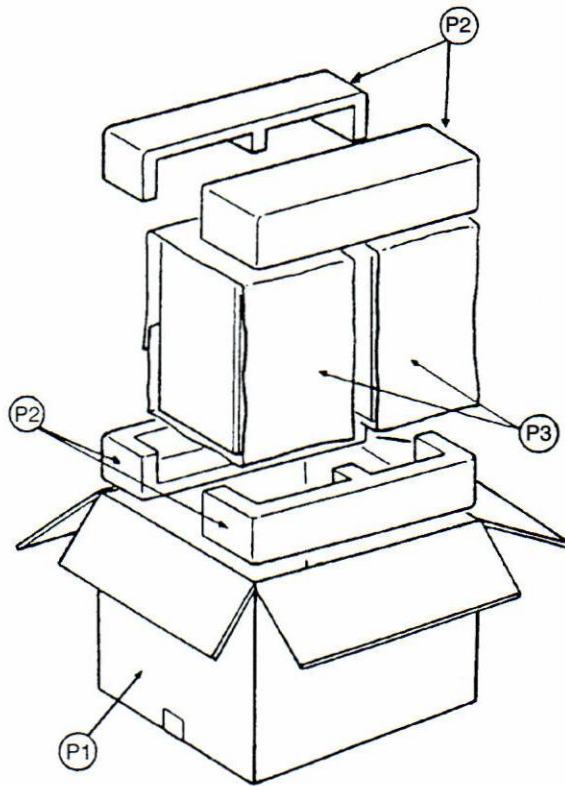
© 1998 Panasonic Spain.
All rights reserved. Unauthorized copying and distribution is a violation of law.

SB-EH550

■ Cabinet Parts Location

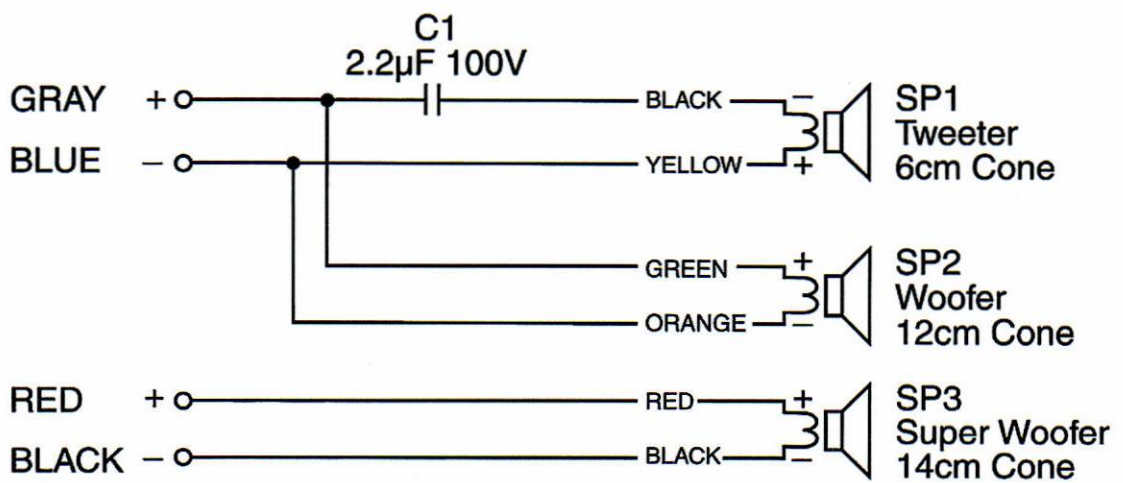


■ PACKAGING



■ Schematic Diagram

This schematic diagram may be modified at any time with development of new technology.



■ Replacement Parts List

- Notes 1. Part numbers are indicated on most mechanical parts. Please use this part number for parts orders.
 2. MAES indicates parts that are supplied by MAES.
- Nota 1. El código está indicado en la mayoría de las piezas. Por favor use este código para sus pedidos.
 2. La indicación MAES significa recambios suministrados a través de MAES.

Ref. No.	Part No.	Part Name & Description	Remarks	Ref. No.	Part No.	Part Name & Description	Remarks
		CABINET AND CHASSIS					
1	RYK0919-M	CABINET ASS , Y	[MAES]	SP2	EASJ12P27A3	WOOFER	[MAES]
1-1	RKA0072 -K	LEGS	[MAES]	SP3	EAS14PL317L3	SUPER - WOOFER	[MAES]
2	RYQ0266-S	ORNAMENT TW	[MAES]			SCREW(S)	
3	RGP0734-S	FRONT PANEL	[MAES]	N1	XTB31BZ+8	SCREW ORNAMENT TW	[MAES]
4	RYB0216	NET FRAME	[MAES]	N2	XTNP42+20	SCREW FOR F. PANEL	[MAES]
5	RYQ0264-H	ORNAMENT WOOFER.	[MAES]	N 3	XTNP42+20 FG	SCREW B. TERMINAL	[MAES]
6	SWXPEH600	CABLE SUPER WOOFER	[MAES]	N 4	XTN42+20FG	SCREW BASS REFLEX	[MAES]
7	REE0903	CAPACITOR ASS'Y	[MAES]	N 5	XTN42+25	SCREW TWEETER	[MAES]
8	RMQ0684A	GASKET FOR WOOFER	[MAES]	N 6	XTN42+32	SCREW WOOFER	[MAES]
9	RMQ0880	GASKET FOR BACKCAVITY	[MAES]	N 7	XTN42+16	SCREW SUPER WOOFER	[MAES]
10	RMR1233-K	BACK CAVITY	[MAES]	N 8	SNES4+40FG	SCREW ORNAMENT W.	[MAES]
11	RKTP0029-K	BASS REFLEX	[MAES]			CAPACITOR (S)	
12	RJH5411-1	BASE TERMINAL	[MAES]	C 1	ECEA1HAY2R2	CAPACITOR 2,2 μ F	[MAES]
13	SHG8G9044	NET HOLDER	[MAES]			PACKING MATERIALS	
14	SHGS8G9071	CORD BUSH	[MAES]	P1	RPG4381	CARTON BOX	[MAES]
		SPEAKER (S)		P2	RPN1198A	PAD UP/DOWN	[MAES]
SP1	EASJ6PH03B3	TWEETER	[MAES]	P3	SPH8G415	SHEET	[MAES]